

# TOWING ACCESSORIES

**BUILT  
STRONGER.  
TOUGHER.  
BETTER.**

**eaz  
lift**<sup>®</sup>  
Since 1952

Camco Manufacturing, Inc. | 1-800-334-2004 | [www.camco.net](http://www.camco.net)

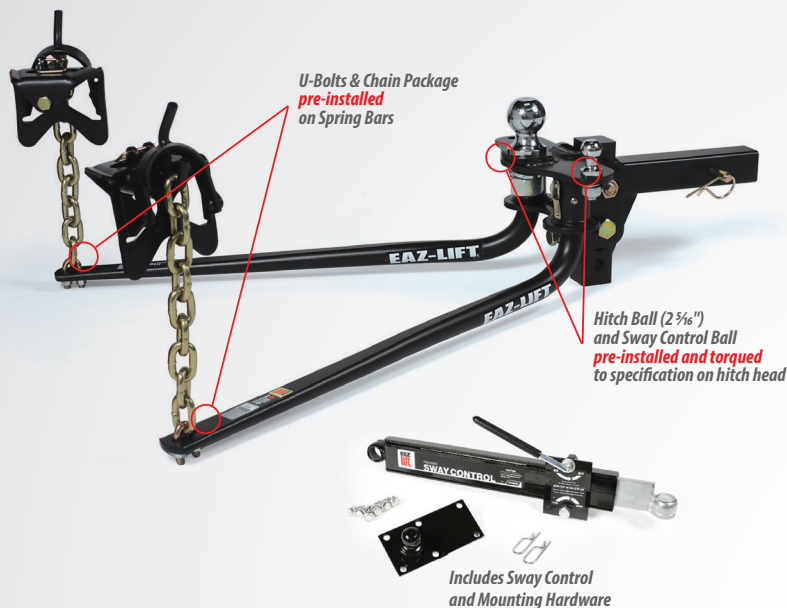
# Weight Distribution Hitches

## GOOD



- Includes sway control and hardware
- Chain package pre-installed on spring bars
- Fully assembled

**elite** Ready to Tow Hitch Kits



## BETTER



- No need to grease bars
- No drilling to install
- Quiet operation

**Trekker**

WDH with **Adaptive** Sway Control



# WHICH WORKS FOR YOU?

## BETTER

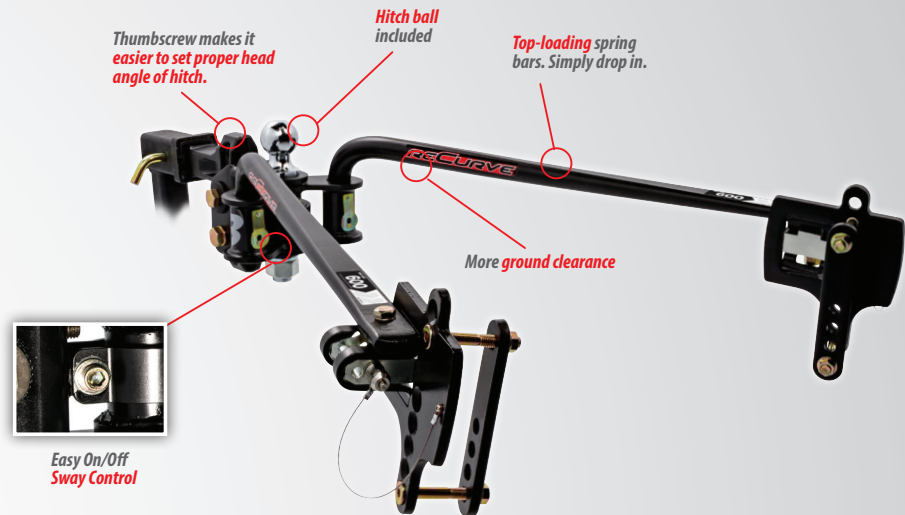


- Hitch and trailer move as one
- No need to grease bars
- No drilling to install
- Quiet operation
- One bolt adjustable sway control

RECURVE™  
WDH

R<sup>3</sup>

### WDH with Adjustable Sway Control



## BEST



- Simple on/off sway control
- Back up without disengaging
- Hitch and trailer move as one
- No need to grease bars
- No drilling to install
- Quiet operation

RECURVE™  
WDH

R<sup>6</sup>

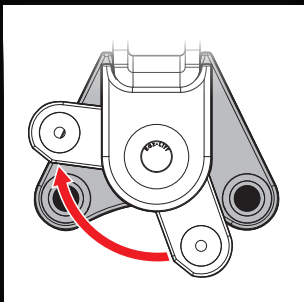
### WDH with Adaptive Sway Control



# BEST



- Simple on/off sway control
- Back up without disengaging
- Hitch the trailer move as one
- No need to grease bars
- No drilling to install
- Quiet operation



# RECURVE™

WDH

## WDH with Adaptive Sway Control

Thumbscrew makes it easier to set proper head angle of hitch.

Hitch ball included

Top-loading spring bars. Simply drop in.

More ground clearance



Easy On/Off Sway Control

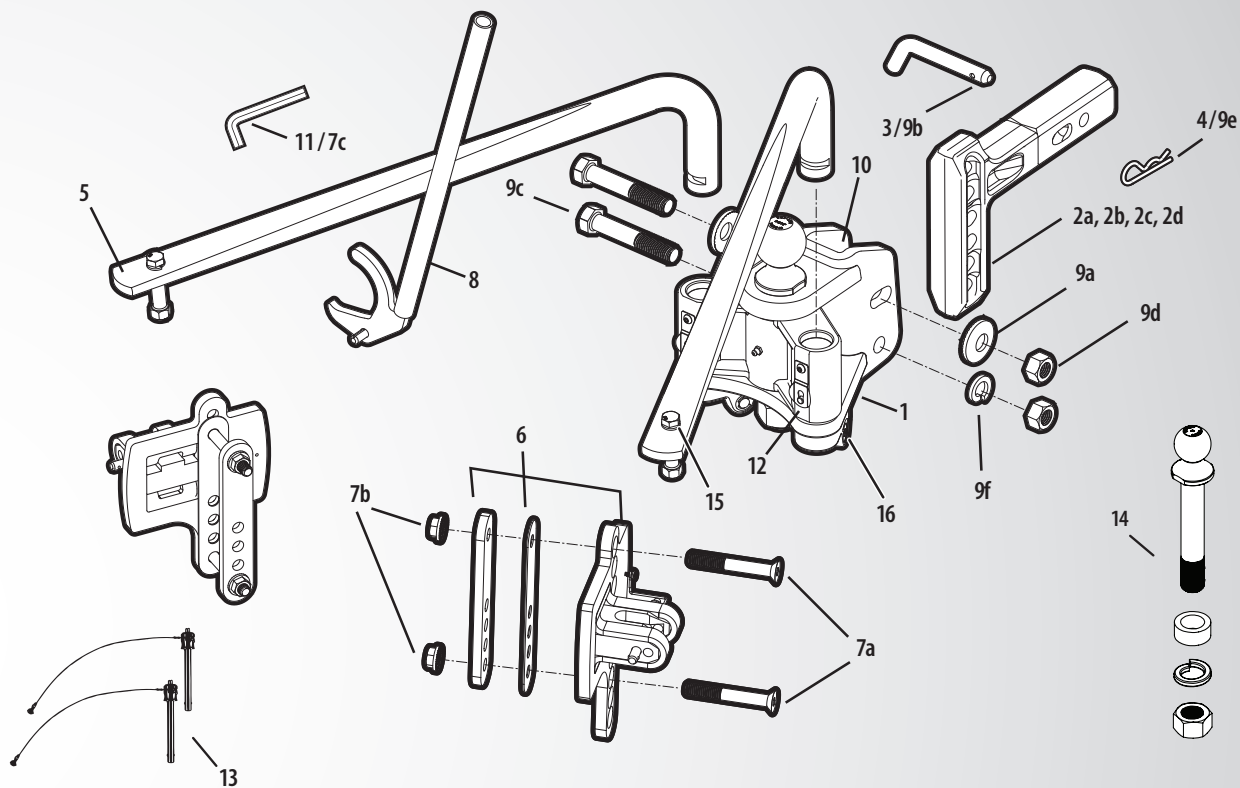


### RECURVE R6

is our most user friendly weight distribution hitch, and it features premium adaptive sway control. With other sway control hitches, turning can be an even bigger hassle than it usually is with a trailer because the sway control "locks" the trailer straight. With the ReCurve R6, the hitch will control your sway for normal driving, but when you turn, the sway control will automatically disengage, making maneuvering smoother and easier on the driver. The sway control can easily be turned completely off in dangerous or icy road conditions. Its top-loading spring bars give it more ground clearance than other weight distribution hitches, and the streamlined design makes the hitch and the trailer move as one, while creating a sleek and subtle look. Hitch ball included.

48731	600 lb Hitch Kit - 2 5/16" Ball
48783	800 lb Hitch Kit - 2 5/16" Ball
48733	1,000 lb Hitch Kit - 2 5/16" Ball
48734	1,200 lb Hitch Kit - 2 5/16" Ball
48779	600 lb Hitch Kit - 2" Ball

# REPLACEMENT PARTS



Description	Part #
1 Ball Mount, with ball for ReCurve R6 600-800-1,000-1,200 - (comes with 2 3/8" ball)	48736
2a Adjustable 2" Square Shank Hi-Low	
12" length	48650
14" length	48121
16" length	48122
18" length	48123
2b Adjustable 2" Square Shank Extra Hi-Low Additional 3 1/4" drop/rise	
12" length	48653
14" length	48131
16" length	48133
2c Adjustable 2" Square Shank Extra Low	
12" length 9" drop	48132
2d Adjustable 2 1/2" Square Shank	
12" length	48651
Adjustable 2 1/2" Square Shank Extra Hi-Low Additional 3 1/4" drop/rise	
12" length	48652
3 Hitch Pin 5/8"	48021

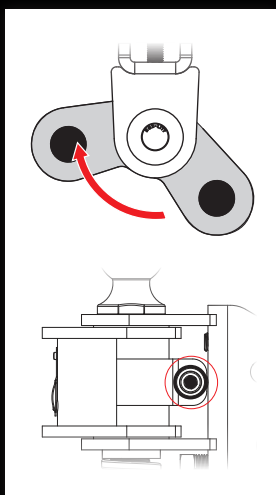
Description	Part #
4 Spring Clips (pair)	48766
5 Spring Bar, ReCurve R6 (Set of 2)	
600 lb rating	48737
800 lb rating	48784
1,000 lb rating	48738
1,200 lb rating	48739
6 Hook Up Hanger Kits Running change mid 2019. Previously 1,200 lb kits came with the 48749	
for A-frame 3"-6" (comes in 400-1,000 lb kits)	48749
for A-frame 6"-8" (comes in 1,200 lb kits)	48781
7 Bolt Package - Hook Up ReCurve, R6	48741
a. (4) each flat head screw, 1/2-13 x 3 3/4"	
b. (4) each serrated flange nut, 1/2"-13	
c. (1) allen wrench (8 mm)	
8 Hook Up Tool	48742

Description	Part #
9 Bolt Package - ReCurve Ball Mount	48765
a. (2) each 3/4" conical washer	
b. (1) each hitch pin	
c. (2) each bolt 3/4" - 10 x 4 1/2"	
d. (2) each nuts 3/4"-10	
e. (1) each spring clip	
f. (1) each lock washer 3/4"	
10 Thumbscrew	48037
11 8 mm Allen Wrench	48745
12 R6 Spring Bar Lock Device Repair Kit	48748
13 Hook Up Hanger Detent Pin - Pair	48743
14 8,000 lb Ball Kit - fits R3 or R6 2" Ball - 7 1/2" Shank	48780
15 Springbar Replacement Bolt Set	48785
16 Cam/E-Clip Replacement Set	48730

# BETTER



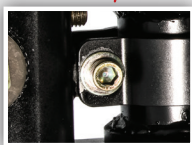
- Hitch and trailer move as one
- No need to grease bars
- No drilling to install
- Quiet operation
- One bolt adjustable sway control



# RECURVE™

WDH

## WDH with Adjustable Sway Control



Easy On/Off  
Sway Control

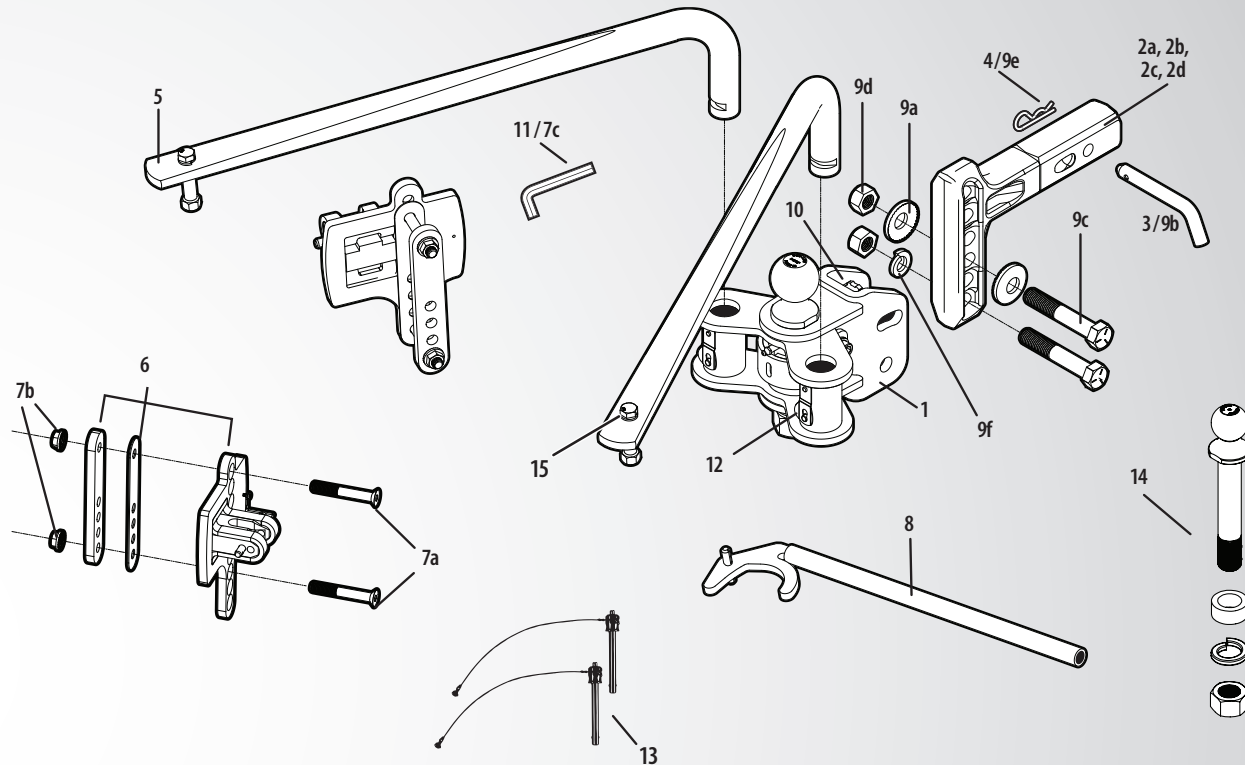


### RECURVE R3

is a weight distribution hitch that features adjustable sway control. By simply adjusting the clamp, you can decide how much sway control is exerted on the trailer. The ReCurve R3 will distribute the weight of your trailer evenly across the axles of the vehicle and provide as much sway control as you choose. Or, turn the sway control completely off in dangerous or icy road conditions. Its top-loading spring bars give it more ground clearance than other hitches, and the streamlined design makes the hitch and the trailer move as one, while creating a sleek look. Hitch ball included.

48750	400 lb Hitch Kit - 2 5/8" Ball
48751	600 lb Hitch Kit - 2 5/8" Ball
48782	800 lb Hitch Kit - 2 5/8" Ball
48752	1,000 lb Hitch Kit - 2 5/8" Ball
48753	1,200 lb Hitch Kit - 2 5/8" Ball
48770	400 lb Hitch Kit - 2" Ball
48771	600 lb Hitch Kit - 2" Ball

## REPLACEMENT PARTS



Description	Part #
1 Ball Mount, with ball for ReCurve R3 400-600-800-1,000-1,200 - (comes with 2 3/16" ball)	48755
2a Adjustable 2" Square Shank Hi-Low	
12" length	48650
14" length	48121
16" length	48122
18" length	48123
2b Adjustable 2" Square Shank Extra Hi-Low Additional 3 1/4" drop/rise	
12" length	48653
14" length	48131
16" length	48133
2c Adjustable 2" Square Shank Extra Low	
12" length 9 1/2" drop	48132
2d Adjustable 2 1/2" Square Shank	
12" length	48651
Adjustable 2 1/2" Square Shank Extra Hi-Low Additional 3 1/4" drop/rise	48652
3 Hitch Pin 3/8"	48021

Description	Part #
4 Spring Clips (pair)	48766
5 Spring Bar, ReCurve (Set of 2)	
400 lb rating	48735
600 lb rating	48737
800 lb rating	48784
1,000 lb rating	48738
1,200 lb rating	48739
6 Hook Up Hanger Kits Running change mid 2019. Previously 1,200 lb kits came with the 48749	
for A-frame 3"-6" (comes in 400-1,000 lb kits)	48749
for A-frame 6"-8" (comes in 1,200 lb kits)	48781
7 Bolt Package - Hook Up ReCurve, R3	48757
a. (4) each flat head screw, 1/2-13 x 3 3/4"	
b. (4) each serrated flange nut, 1/2"-13	
c. (1) allen wrench (10 mm)	

Description	Part #
8 Hook Up Tool	48742
9 Bolt Package - ReCurve Ball Mount	48765
a. (2) each 3/4" conical washer	
b. (1) each hitch pin	
c. (2) each bolt 3/4" - 10 x 4 1/2"	
d. (2) each nuts 3/4"-10	
e. (1) each spring clip	
f. (1) each lock washer 3/4"	
10 Thumbscrew	48037
11 10 mm Allen Wrench	48758
12 Spring Bar Lock Device Repair Kit	48104
13 Hook Up Hanger Detent Pin - Pair	48743
14 8,000 lb Ball Kit - fits R3 or R6 2" Ball - 7 1/2" Shank	48780
15 Springbar Replacement Bolt Set	48785
16 Hookup Hanger Frame Kit - BAL fits BAL/Norco tapered A-frame contains two spacers and 4 bolts required to install R3 hitch	48746

# BETTER



- No need to grease bars
- No drilling to install
- Quiet operation



# Trekker

## WDH with Adaptive Sway Control



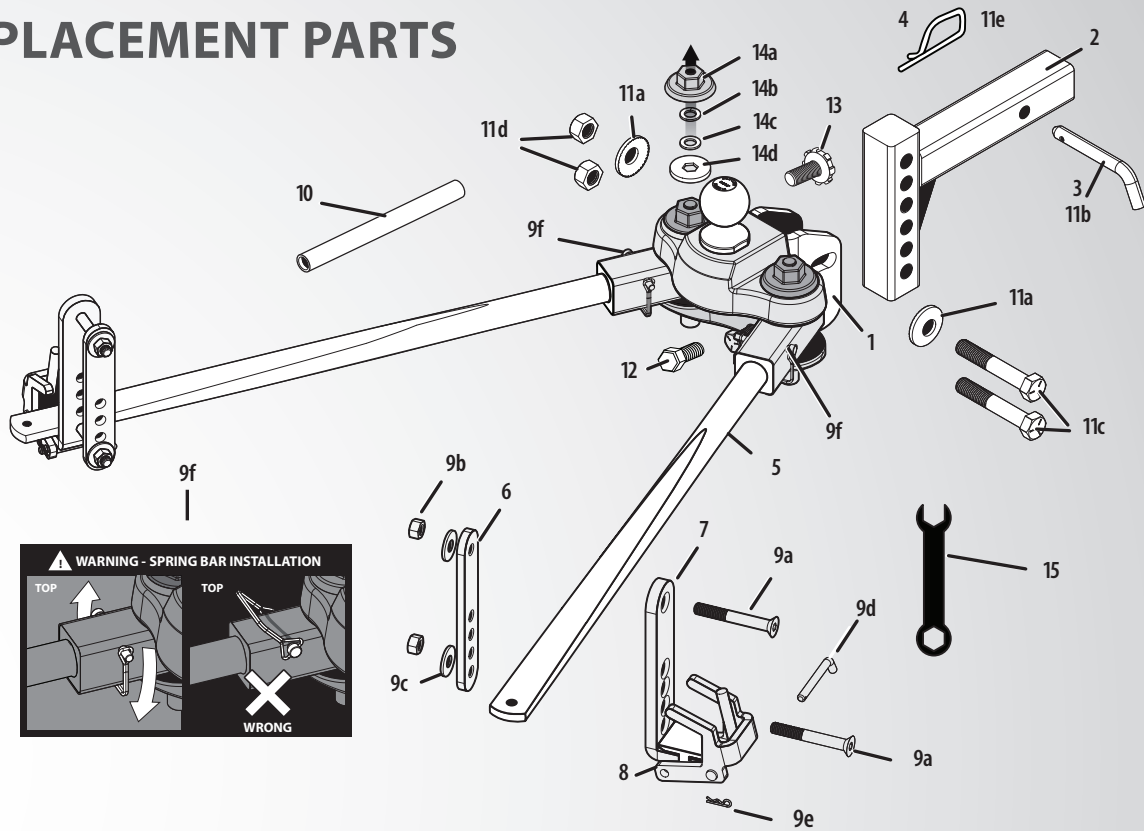
### EAZ-LIFT TREKKER

is the perfect combination of premium weight distribution and sway control in an easy-to-install hitch. Trekker utilizes adaptive sway technology which goes above and beyond that of the competitors' weight distribution hitches. When towing and challenged with wind gusts and passing trucks, the Trekker reacts and increases resistance as needed! During sharp turns and maneuvering, when sway control is unnecessary, the Trekker disengages sway control completely for improved handling. When towing in dangerous conditions, such as slippery or icy roads, sway control is unwanted. Trekker's easy on/off sway control makes it a breeze to manually disengage. This feature also comes in handy when hooking-up and unhooking. Includes High-Low Shank. All Trekker hitch kits come with factory installed 2 5/16" ball.

- 48701 Trekker Hitch, 600 lb
- 48703 Trekker Hitch, 1,000 lb
- 48704 Trekker Hitch, 1,200 lb



# REPLACEMENT PARTS



Description	Part #
1 Ball Mount, with ball for Trekker 600-1,000-1,200	48726
2a Adjustable 2" Square Shank Hi-Low 5/8" Drop - 7" Rise	
12" length	48650
14" length	48121
16" length	48122
18" length	48123
2b Adjustable 2" Square Shank Extra Hi-Low Additional 3 1/4" drop/rise - 3 7/8" Drop - 10 1/4" Rise	
12" length	48130
14" length	48131
16" length	48133
2c Adjustable 2" Square Shank Extra Low Additional 7" Drop - 7 3/8" Drop	
10" length	48132
3 Hitch Pin	48021
4 Spring Clip	48028

Description	Part #
5 Spring Bar, Trekker (Set of 2)	
600 lb rating	48710
1,000 lb rating	48712
1,200 lb rating	48713
6 Hook Up Strap, Trekker	48723
7 Hook Up Hanger, Trekker	48725
Hook Up Hanger for use with bottom mount coupler	48727
8 Wear Pad (Set of 2)	48724
9 Bolt Package - Hook Up, Trekker	48722
a. (4) each flat head screw, 1/2-13 x 3 3/4"	
b. (4) each locking nut, 1/2"-13	
c. (4) each washer, 1/2"	
d. (2) each clevis pin	
e. (2) each cotter pin, 9 1/2 mm	
f. (4) each retainer pin, spring bar Trekker	

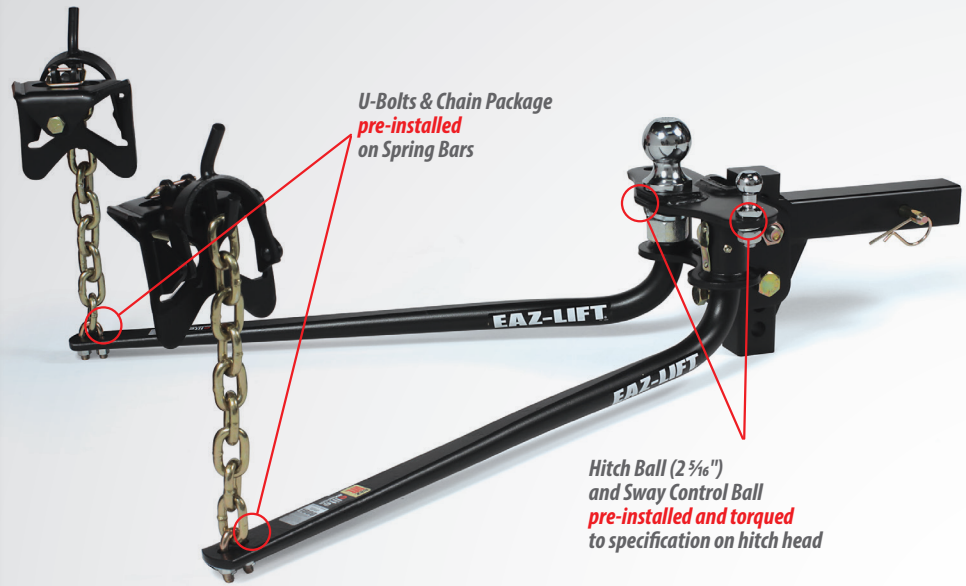
Description	Part #
10 Lever Bar	48031
11 Bolt Package (for 600-1,000-1,200 Ball Mount)	48101
a. (2) each 3/4" conical washer	
b. (1) each hitch pin	
c. (2) each bolt 3/4"- 10 x 4 1/2"	
d. (2) each nuts 3/4"-10	
e. (1) each spring clip	
12 Set Screw (for 600-1,000-1,200 Trekker)	48721
13 Thumbscrew	48037
14 Activation Cap Replacement Kit, Trekker	48720
a. (1) Cap	
b. (1) Lock Washer	
c. (1) Washer	
d. (1) Compression Plate	
15 Wrench	48042

**GOOD**  
★★★★

- Includes sway control and hardware
- Chain package pre-installed on spring bars
- Fully assembled



# e<sup>l</sup>ite Ready to Tow Hitch Kits



*Includes Sway Control and Mounting Hardware*

## ROUND BAR WEIGHT DISTRIBUTING HITCHES

Eaz-Lift Elite Weight Distributing Hitch Kit allows you to save time with pre-installed components. It includes a round bar weight distributing hitch, sway control and hitch ball. The 2 5/16" hitch ball and sway control ball are pre-installed and torqued to specification on the hitch head. The U-bolts and chain package are pre-installed on the spring bars. Mounting hardware is also included.

## ROUND BAR WEIGHT DISTRIBUTING READY-TO-TOW HITCH KITS

with Sway Control - with factory installed 2 5/16" ball

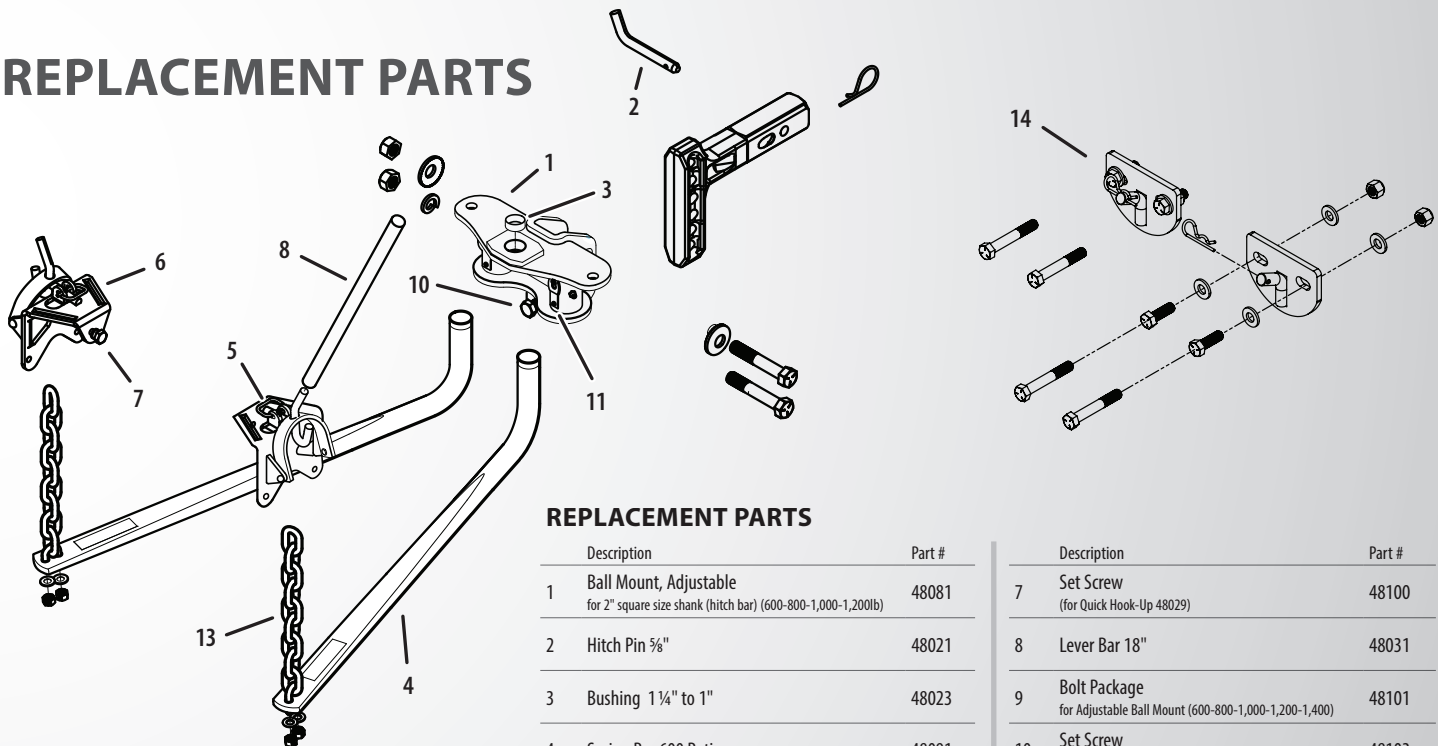
Part #	Description	Maximum Tongue Weight	Maximum Gross Weight Rating
48056	Elite Hitch Kit – 600 lb	800 lb	8,000 lb
48057	Elite Hitch Kit – 800 lb	1,000 lb	10,000 lb
48058	Elite Hitch Kit – 1,000 lb	1,200 lb	12,000 lb
48069	Elite Hitch Kit – 1,200 lb	1,400 lb	14,000 lb

## WEIGHT DISTRIBUTING HITCHES WITH BOLT-TOGETHER ADJUSTABLE SHANK

without Sway Control - without hitch ball

Part #	Description	Maximum Tongue Weight	Maximum Gross Weight Rating
48051	with Adjustable Ball Mount & Shank – 600 lb	800 lb	8,000 lb
48052	with Adjustable Ball Mount & Shank – 800 lb	1,000 lb	10,000 lb
48053	with Adjustable Ball Mount & Shank – 1,000 lb	1,200 lb	12,000 lb
48059	with Adjustable Ball Mount & Shank – 1,200 lb	1,400 lb	14,000 lb

## REPLACEMENT PARTS



### REPLACEMENT PARTS

Description	Part #
1 Ball Mount, Adjustable for 2" square size shank (hitch bar) (600-800-1,000-1,200lb)	48081
2 Hitch Pin 5/8"	48021
3 Bushing 1 1/4" to 1"	48023
4 Spring Bar 600 Rating	48091
4 Spring Bar 800 Rating	48092
4 Spring Bar 1,000 Rating	48093
4 Spring Bar 1,200 Rating	48097
5 Hook-Up Wire Clip for 48029 (2 pk)	48028
6 Quick Hook-Up	48029

Description	Part #
7 Set Screw (for Quick Hook-Up 48029)	48100
8 Lever Bar 18"	48031
9 Bolt Package for Adjustable Ball Mount (600-800-1,000-1,200-1,400)	48101
10 Set Screw for Adjustable Ball Mount (600-800-1,000-1,200)	48103
11 Spring Bar Locking Device Repair Kit Contains two each pins, retainers and screws	48104
11 Spring Bar Locking Device Repair Kit Contains one each pins, retainers and screws	48113
12 Elite Ball Mount Kit for (600-800-1,000-1,200)	48110
13 Chain Package 2-Chains	48106
14 Bolt-On Chain Hanger (optional)	48045

\*See page 18 for sway control parts

# Safer, easier towing



**Automatic latching coupler attaches to any 2 5/16" gooseneck ball.**



**Drop-down style coupler allows full range of motion for easy hookup and disconnect.**



# 5TH WHEEL **TO** GOOSENECK ADAPTER



\*Works in most cases

## EAZ-LIFT GOOSENECK ADAPTERS

will convert most standard 5th wheel trailers to a gooseneck trailer. This allows you to have the convenience of towing two types of trailers with only one truck. You will also enjoy towing a 5th-wheel trailer without having a large hitch taking up the bed of your truck. Eaz-Lift's Gooseneck adapters feature an automatic latching coupler for a simple hookup and disconnect. They have a 30,000 lb tow rating and are available in 12", 15" and 17" heights for your specific truck and trailer setup. Easy to install and each adapter comes with all of the parts and hardware needed for installation.

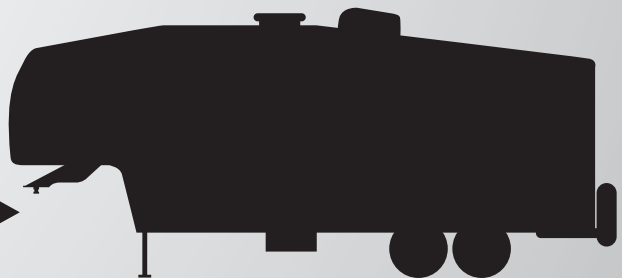
- 48490 17" Gooseneck Adapter
- 48500 12" Gooseneck Adapter
- 48501 15" Gooseneck Adapter
- 48572 Bolt Pack for Gooseneck Adapter

## REPLACEMENT PARTS

Description	Part #
Safety Cables Set of 2	48506
Handle, Cam Lock, Cable Assembly	48502
Lock Pin	48508
Complete Replacement Lock Assembly	48503



No bulky 5th wheel  
hitch in your truck bed



Tow a 5th Wheel trailer  
with a Gooseneck Hitch!

# 5th Wheel Hitches

## 16KS

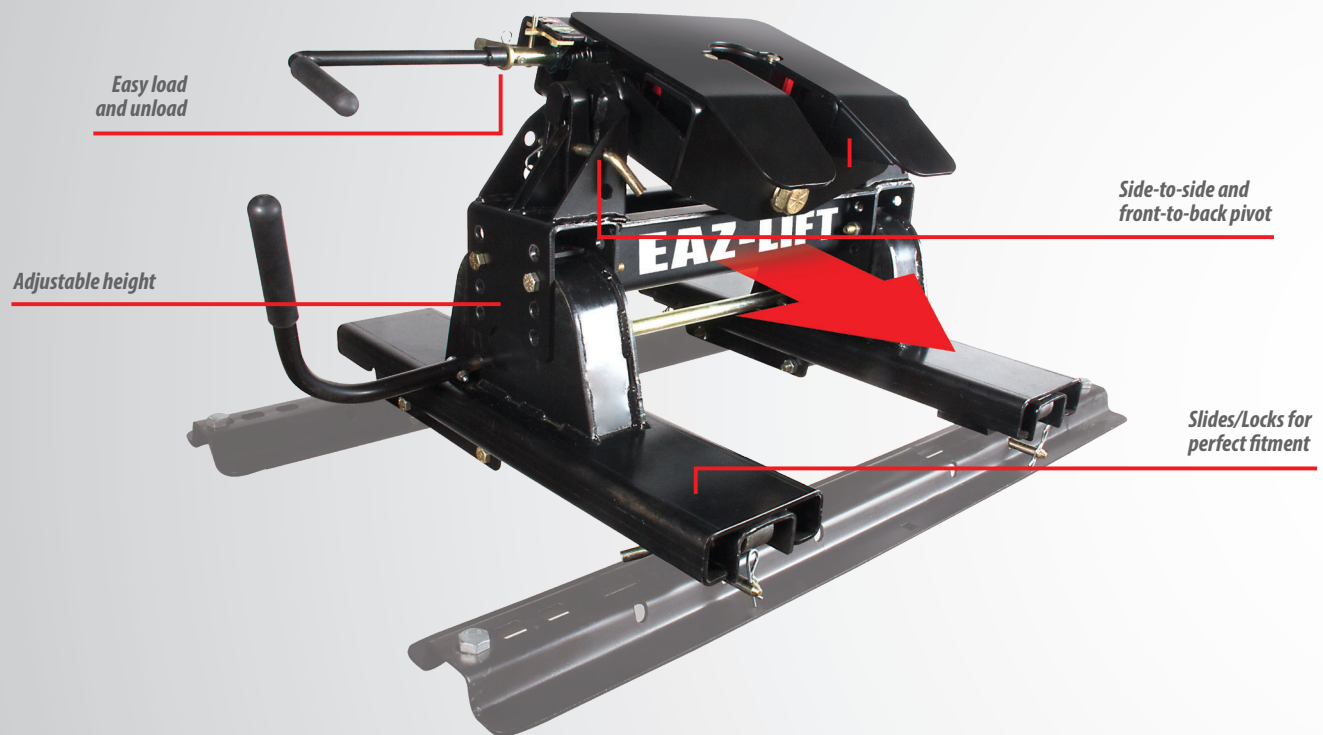
5th Wheel Hitch **Slider**

## 18KS

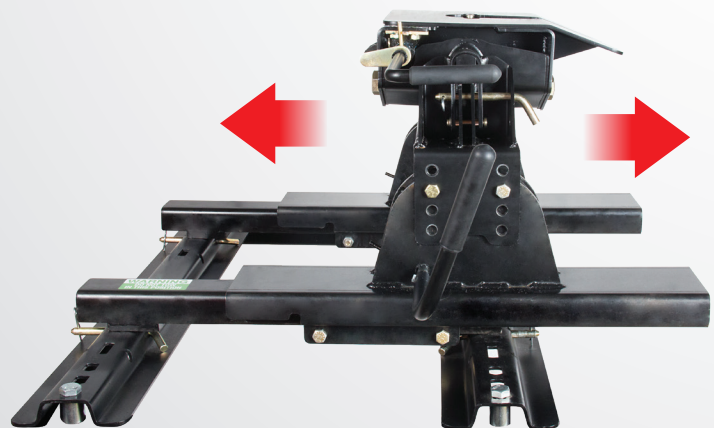
5th Wheel Hitch **Slider**

## 22KS

5th Wheel Hitch **Slider**



- **Heavy-duty Construction**
- **Powder Coated Finish**
- **Easy to Install**



# Slider Hitch



## EAZ-LIFT 5TH WHEEL HITCHES

Eaz-Lift quality on a standard base-rail-style bracket system. The Stationary and Slider 5th Wheel Hitches' universal design allows them to be mounted to any existing base rails or to Eaz-Lift's heavy-duty rails. Ideal for a truck with a short bed, the 16KS, 18KS and 22KS models utilize the slider system to avoid truck and trailer damage by allowing additional turning clearance.

16K(S) and 18K(S) may be mounted on any existing rails. 22K(S) must be mounted on Eaz-Lift 22K rated rails (48630)

## 5TH WHEEL HITCH SLIDERS

- 48625 16K 5th Wheel Slider Hitch
- 48623 18K 5th Wheel Slider Hitch
- 48627 22K 5th Wheel Slider Hitch

## EAZ-LIFT GOOSENECK BALL PLATE

The Eaz-Lift Gooseneck Ball Plate for 5th Wheel Rails mounts to industry standard in-bed 5th wheel rails and allows you to easily tow gooseneck trailers with 5th wheel equipped trucks.

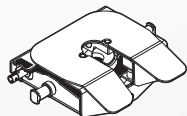
It is rated to 30,000 lb Max GTWR (7,500 lb Tongue Weight) and features a 2 3/16" hitch ball that is 2" offset from center plus safety chain attachment slots on both ends of the hitch.

Constructed of durable, powder coated steel.



- 48554 for 5th Wheel Rails

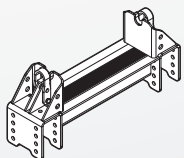
## Slider Hitches Include



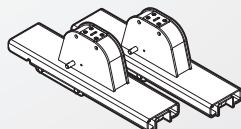
Head



Bolt Pack



Crossmember



Two Sliders

(Sliders are packed in a separate carton for shipping.)

# 16KS, 18KS, AND 22KS FEATURES

- Mounts to industry standard 4- and 10-bolt bed rails
- 11 degree side-to-side pivot with urethane cushions
- 32 degree, front-to-back pivot
- Automatic locking jaws
- Durable, powder-coated finish
- Secondary handle lock to ensure jaws have been locked closed
- Adjustable height from 17 1/2" to 21"
- Displaces hitch 9 inches toward tailgate for tight maneuvering
- Visible flag on each rail to show the slider has locked in either towing or maneuvering positions
- Secondary lock pin ensures primary locking mechanism is fully secured
- Fully enclosed rollers and locking mechanism to minimize debris build-up
- 16KS : 4,000 lb vertical
- 18KS : 4,500 lb vertical
- 22KS : 5,500 lb vertical

# 5th Wheel Hitches

## 16K

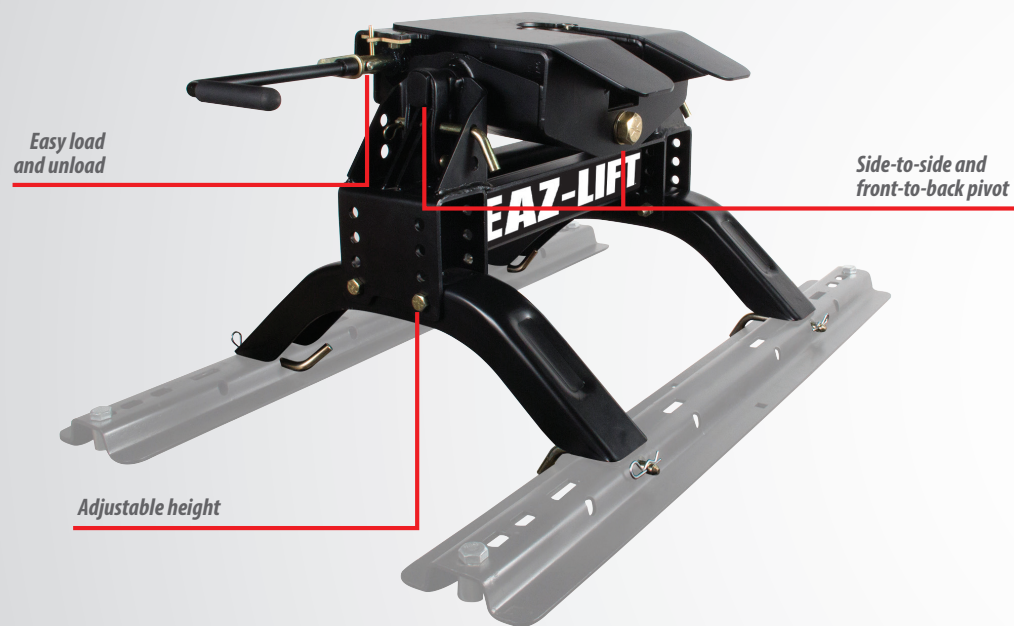
5th Wheel Hitch

## 18K

5th Wheel Hitch

## 22K

5th Wheel Hitch



- Heavy-duty Construction
- Powder Coated Finish
- Easy to Install





# Standard Hitch



## EAZ-LIFT 5TH WHEEL HITCHES

Eaz-Lift quality on a standard base-rail-style bracket system. The Stationary and Slider 5th Wheel Hitches' universal design allows them to be mounted to any existing base rails or to Eaz-Lift's heavy-duty rails. Ideal for a truck with a short bed, the 16KS, 18KS and 22KS models utilize the slider system to avoid truck and trailer damage by allowing additional turning clearance.

## 5TH WHEEL STATIONARY HITCHES

- 48626 16K 5th Wheel Stationary Hitch
- 48624 18K 5th Wheel Stationary Hitch
- 48628 22K 5th Wheel Stationary Hitch

## EAZ-LIFT GOOSENECK BALL PLATE

The Eaz-Lift Gooseneck Ball Plate for 5th Wheel Rails mounts to industry standard in-bed 5th wheel rails and allows you to easily tow gooseneck trailers with 5th wheel equipped trucks.

It is rated to 30,000 lb Max GTWR (7,500 lb Tongue Weight) and features a 2 5/16" hitch ball that is 2" offset from center plus safety chain attachment slots on both ends of the hitch.

Constructed of durable, powder coated steel.

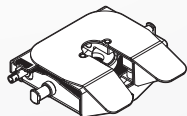


48554 for 5th Wheel Rails

# 16K, 18K, AND 22K FEATURES

- Mounts to industry standard 4- and 10-bolt bed rails
- 11 degree side-to-side pivot with urethane cushions
- 32 degree, front-to-back pivot
- Automatic locking jaws
- Adjustable height from 14 1/2" to 18"
- Durable, powder-coated finish
- Secondary handle lock to ensure jaws have been locked closed
- 16K : 4,000 lb vertical
- 18K : 4,500 lb vertical
- 22K : 5,500 lb vertical

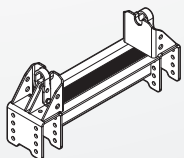
## Slider Hitches Include



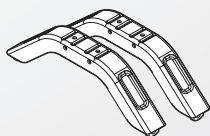
Head



Bolt Pack



Crossmember



Two Stationary Legs (Legs are packed in a separate carton for shipping.)

# Adapter Kit or Install Kit: Which one do I need?

## EAZ-LIFT BED RAILS & UNIVERSAL INSTALL KITS

MAKE/MODEL	INCLUDES	ITEM #	4 or 10 BOLT INSTALL
ALL			
22K, 4/10 Bolt Bed Rails + Brackets + HDW		48630	Both
22K, 4/10 Bolt Bed Rails + HDW		48631	Both
16/18K, 4 Bolt only Bed Rails + Brackets + HDW		48590	4 Bolt
Brackets + HDW only		48591	4 Bolt



## EAZ-LIFT NO-DRILL UNDERBED INSTALL KIT APPLICATION MATRIX

MAKE/MODEL	YEARS	ITEM #	4 or 10 BOLT INSTALL
CHEVROLET (must use 48630 or 48631 rail kits)			
2500	2011 - 2019	48599*	Both
3500	2011 - 2019	48599*	Both
2500	2020 - 2020	48606*	10 Bolt
3500	2020 - 2020	48606*	10 Bolt
FORD			
F-150	2015 - 2020	48597	4 Bolt
F-250	2011 - 2016	48604	4 Bolt
	2017 - 2020	48605*	10 Bolt
F-350	2011 - 2016	48604	4 Bolt
	2017 - 2020	48605*	10 Bolt
F-450	2011 - 2016	48604	4 Bolt
	2017 - 2019	48605*	10 Bolt
DODGE/RAM			
2500	2014 - 2020	48596	4 Bolt
3500	2013 - 2020	48598	4 Bolt
TOYOTA (must use 48630 or 48631 rail kits)			
TUNDRA	2007 - 2020	48607*	Both



\* Must use 48630 or 48631 rail kits

## EAZ-LIFT (4-BOLT STYLE) UNDERBED ADAPTER KIT APPLICATION MATRIX

MAKE/MODEL	YEARS	ITEM #	4 or 10 BOLT INSTALL
CHEVROLET			
ALL			
FORD			
F-150	2004 - 2014	48593	4 Bolt
F-250	2004 - 2016	48592	4 Bolt
F-350	2004 - 2016	48592	4 Bolt
F-450	2004 - 2016	48592	4 Bolt
DODGE/RAM			
1500	2002 - 2008	48594	4 Bolt
	2009 - 2015	48595	4 Bolt

## EAZ-LIFT OEM PUCK SYSTEM ADAPTERS APPLICATION MATRIX

MAKE/MODEL	YEARS	ITEM #
CHEVROLET		
2500	2016 - 2019	48661
	2020 - 2020	48663
3500	2016 - 2019	48661
	2020 - 2020	48663
FORD		
F-250	2010 - 2020	48660
F-350	2010 - 2020	48660
F-450	2010 - 2020	48660
DODGE/RAM		
2500	2013 - 2020	48662
3500	2013 - 2020	48662

## EAZ-LIFT 5TH WHEEL WEDGE KIT

Wedge kit prevents king pin from pivoting in your hitch. Compatible with Sidewinder or Revolution fifth wheel trailer hitches. Constructed of durable, powder-coated steel.



48629 5th Wheel Wedge Kit

# 5<sup>TH</sup> WHEEL LUBE PLATES

Cushions vibrations and helps protect your 5th Wheel against friction and wear.

- No need for messy grease
- Cushions vibrations
- Fits on 5th wheel king pin
- 3/16" thick



5TH WHEEL LUBE PLATE

44664 10"  
44674 12"



**PTFE ADDITIVE**  
for reduced friction

44668 10"  
44678 12"

Available  
in 12 Pack  
PDQ!



5TH WHEEL LUBE PLATE  
12 PACK

44665 10"  
44675 12"



**EAZ-LIFT 5TH WHEEL RAIL ADAPTER**  
Fits B&W Turnover Ball hitches only

48555 for 5th Wheel Rails

## EAZ-LIFT GOOSENECK BALL PLATE

The Eaz-Lift Gooseneck Ball Plate for 5th Wheel Rails mounts to industry standard in-bed 5th wheel rails and allows you to easily tow gooseneck trailers with 5th wheel equipped trucks. It is rated to 30,000 lb Max GTWR (7,500 lb Tongue Weight) and features a 2 5/16" hitch ball that is 2" offset from center plus safety chain attachment slots on both ends of the hitch. Constructed of durable, powder coated steel.

48554 for 5th Wheel Rails



# SWAY CONTROLS

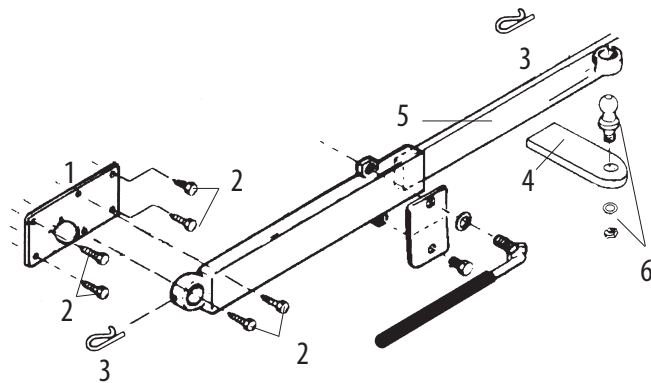
## Why Eaz-Lift Sway Controls are BETTER than cam-action type sway controls:

- Eaz-Lift Sway Controls do not create noise problems as does the cam action type
- Eaz-Lift Sway Controls do not reduce ground clearance
- Eaz-Lift Sway Controls are easily released when road conditions do not warrant their use...unlike cam action type sway controls that depend upon hitch weight to operate and cannot be released on icy and oily road conditions where straight line action would possibly impair driving control
- Eaz-Lift Sway Controls do not lose sway control ability in turns

### EAZ-LIFT SWAY CONTROLS

minimize sway caused by passing trucks and sudden wind gusts, and they do not lose sway control ability in turns. Double friction pads provide constant sway abatement. Eaz-Lift Sway Controls attach with easy socket and spring clip connectors remove for easy storage. NOT FOR USE ON TRAILERS WITH SURGE BRAKES. Trailers over 25 feet long or smaller broad-sided trailers may require two Sway Controls. Use left hand Sway Control part number 48381.

- 48380 Sway Control  
Right-mounted passenger side
- 48381 Sway Control  
Left-mounted driver side (includes one 48390 Ball Mount Bar)



### SWAY CONTROL PARTS

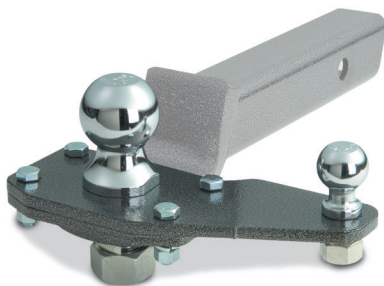
Replacement parts for Eaz-Lift 48380 and 48381.

- |   |       |                                |   |       |                                |
|---|-------|--------------------------------|---|-------|--------------------------------|
| 1 | 48388 | Trailer Tongue Ball Plate      | 4 | 48390 | Ball Mount Bar                 |
| 2 | 48389 | Self Tap Screw 3/8" x 1 (6/pk) | 5 | 48391 | Slide Bar 3/8" (48380 & 48381) |
|   | 48114 | Self Tap Screw 3/8" x 1 (each) | 6 | 48404 | Ball, Washer, Nut              |
| 3 | 48028 | Hook-Up Wire Clips - 2/pack    |   |       |                                |

### SWAY CONTROL ADAPTER

Bolt-together adapter fits most 2" ball mounts with 1" ball shank hole. Can be used on left or right side. Durable powder coat finish (Except on balls and utility ball mounts).

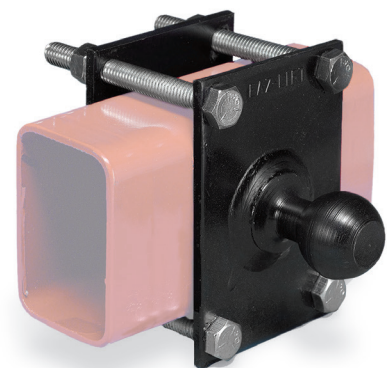
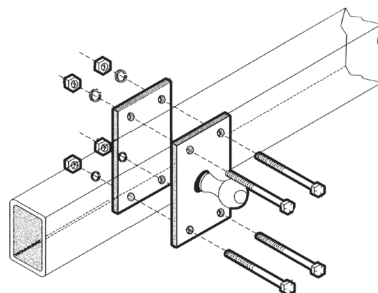
- 48386 Left or Right Ball Mount Adapter - 2"



### CLAMP-ON SWAY CONTROL ADAPTER

Bolt-together adapter with no-weld installation prevents damage to wiring enclosed in framework. May be used on right or left side of 2" x 3" "A-frame" trailers. Not for use on trailers with surge brakes.

- 48385 Sway Control Adapter



### CHROME-PLATED STEEL HITCH BALL

is made of solid, machined steel. To choose the correct hitch ball for your towing need, check the inside of your coupler and the desired length of the shank on the ball needed. Hitch ball is marked with size and rating; it is important to match coupler size with hitch ball size.



2" ball diameter - 1 1/4" shank diameter - 6 5/8" shank length  
48759 6,000 lb gross weight limit - **only fits R3**

2 5/16" ball diameter - 1 1/4" shank diameter - 2 1/2" shank length  
48213 10,000 lb gross weight limit  
48217 14,000 lb gross weight limit



### BUSHING

Variation in hitch ball holes requires bushings to adjust for the variation of hitch ball shanks.

48023 Reduces 1 1/4" to 1"

### CHAIN LOOP

Safety chain for use with fabricated receiver and hitches. Large Loops for Class III and IV.

48181 Large



### LINCH PIN

48347 6mm x 30 mm

### WIRE LOCK PIN FOR GEN-TURI

48430 D Clip



### COMBO BAR

2" x 2" x 1/4" wall with collared tube, used to create under-car receivers for vehicles where standard or frame hitches are not available.

Can be bolted or welded to vehicles undercarriage. Sized and punched to fit all common weight distributing hitch ball mounts or utility ball mounts. \*Wt. Dist. only with 24" to 48" combo bar when properly installed. Fits 2" x 2" receiver.

48170 6" Shank \*48173 24" Shank  
48172 12" Shank \*48174 36" Shank

### EAZ-LIFT HITCH BALL

allows for easy installation and can be used with any standard ball mount. Made of resilient chrome-plated 1045 steel, you can ensure that the RV or boat you have in tow is hitched with maximum safety and strength.



Part #	Ball Diameter	Shank Diameter	Shank Length	Tow Rating
48222	2"	1"	2 1/8"	5,000 lb
48223	2"	3/4"	2 1/8"	3,500 lb
48224	2 5/16"	1"	2 1/8"	7,500 lb
48226	2"	1 1/4"	2 1/2"	8,000 lb
48227	2"	3/4"	1 1/2"	3,500 lb
48228	1 7/8"	3/4"	1 1/2"	2,000 lb
48229	2"	3/4"	2 3/8"	3,500 lb
48232	1 7/8"	3/4"	2 3/8"	2,000 lb
48233	1 7/8"	1"	2"	3,500 lb

### EAZ-LIFT COUPLER LOCK

allows you to keep your trailer latch securely locked to the trailer ball. It has a retainer pin that allows enough clearance for the coupler latch. Constructed of zinc-plated steel that is corrosion resistant.

Round Shaped Retainer Pin

48333 1/4" Diameter - 1 3/8" Length

48335 5/16" Diameter - 2 1/2" Length

Square Shaped Retainer Pin

48336 5/16" Diameter - 2 13/16" Length



### ELECTRIC TONGUE JACK HEAD COVER

48356 18" H - 7 1/2" W - 8" D



### EAZ-LIFT TOWING KIT

The Eaz-Lift Towing Kit is a ready to use hitch mount designed for 2" hitch receivers. Includes a convenient no-mess storage case for all included parts. The heavy-duty tow kit has a 5,000 lb towing capacity and is designed for use with Class III Trailers.



51952 2" Ball and 5/8" Pin w/Plastic Case

### EAZ-LIFT SAFETY LOCK PIN

is used instead of a clevis and cotter pin combination to secure coupler locks, PTO shafts, clevis joints and more. Constructed of durable zinc-plated steel that is corrosion resistant.



Part #	Pin	Length	Clearance
48339	1/4"	1 3/4"	1 1/2"
48340	1/4"	2"	1 11/16"
48341	1/4"	2 1/2"	1 3/4"
48342	1/4"	3"	1 17/32"
48343	1/4"	3 1/2"	1 9/16"
48344	5/16"	2 9/16"	1 23/32"
48345	3/8"	1 1/2"	1 1/2"
48346	3/8"	2 1/4"	1 17/32"

### EAZ-LIFT COUPLER LOCK PIN WITH SAVER CHAIN

allows you to keep your trailer coupler latch securely fastened to the trailer ball. The provided saver chain attaches to your trailer for additional security. The coupler lock pin has a round shaped retainer that allows enough clearance for the coupler latch. Constructed of zinc-plated steel that is corrosion resistant.



48334 1/4" Diameter - 1 3/8" Length

48337 5/16" Diameter - 2 1/2" Length

48338 5/16" Diameter - 1 3/4" Length

### EAZ-LIFT RECEIVER HITCH PIN AND CLIP

securely keeps a receiver hitch-mounted accessory in place while towing. It features a 115-degree bend for easy handling and additional security. Includes a clip to keep the receiver hitch pin securely engaged to the trailer hitch and ball mount. Constructed of durable, zinc-plated carbon steel.

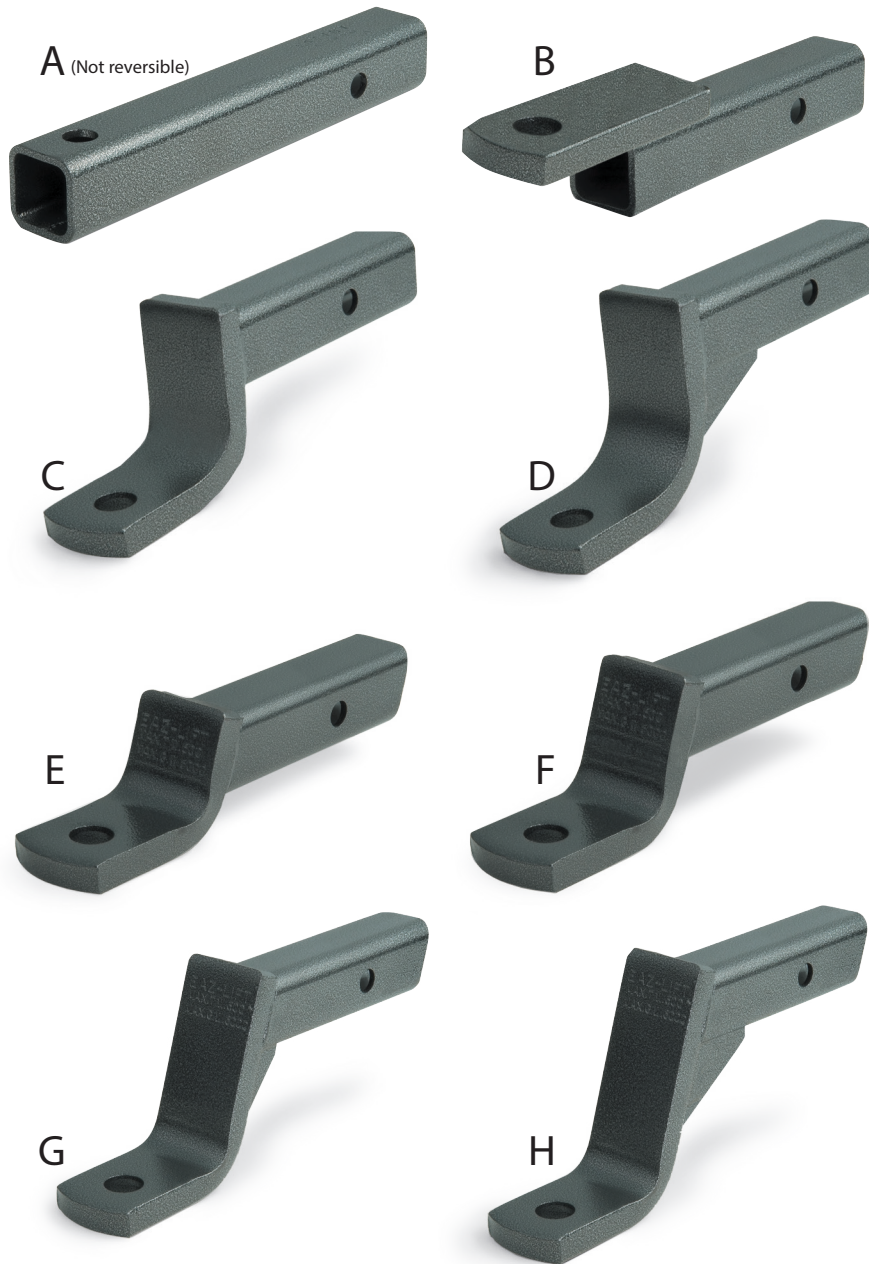


48016 5/8" Pin Diameter - 4 3/4" Usable Length

48017 5/8" Pin Diameter - 3 7/8" Usable Length

## BALL MOUNTS

are 2" x 2" and are used in weight carrying applications for trailers that do not require weight distribution. Ball mounts create a ball platform for attaching a hitch ball. The ball mounts or utility hitch bar length are determined by measuring from the center of the pull pin to the center of the hitch ball hole. The drop or rise is determined by measuring from the top of the mount to the top of the tongue. All 2" x 2" ball mount shank holes are 1", except 48282, which has a 3/4" hole.



### STRAIGHT & ANGLE, DROP/RISE, REVERSIBLE BALL MOUNTS

Fits 2" x 2" Receiver, Rated MGTWR/MTW 6000/600 All ball mounts are unboxed. Hitch ball not included.

	Part #	Length	Drop	Lift
A*	48282	8 3/4"	—	—
B	48286	9"	2"	3/4"
	48290	13"	2"	3/4"
C	48292	9"	4"	2 3/4"
	48294	11"	4"	2 3/4"
D	48296	13"	4"	2 3/4"
	48298	9"	7"	5 3/4"
E	48300	11"	7"	5 3/4"
	48312	13"	2"	3/4"
F	48314	8"	2"	3/4"
	48326	10 1/2"	2"	3/4"
G	48304	10 1/2"	3 1/4"	2"
	48316	7"	3 1/4"	2"
H	48306	11 1/2"	6"	4 3/4"
	48318	9"	5 1/4"	4"
	48320	10 1/2"	5 1/4"	4"

\*Rated MGTWR/MTW 3500/350—NOT REVERSIBLE

### EAZ-LIFT BALL MOUNT KIT FOR 2" HITCH RECEIVERS

Installs to a 2" hitch receiver to create a 1 7/8" ball mount. Includes 1 7/8" ball with zinc-plated washer and nut, 5/8" hitch pin and clip. 3,500 lb tow rating.

Part #	Length	Drop	Rise
48273	8"	2"	3/4"
48275	9"	4"	2 3/4"

Installs to a 2" hitch receiver to create a 2" ball mount. Includes 2" ball with zinc-plated washer and nut, 5/8" hitch pin and clip. 6,000 lb tow rating.

Part #	Length	Drop	Rise
48274	8"	2"	3/4"
48276	9"	4"	2 3/4"

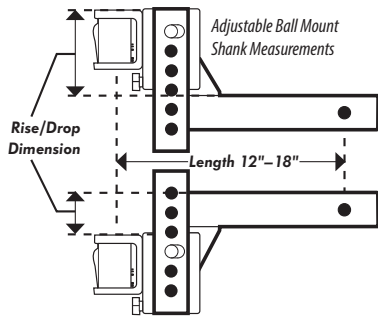


### EAZ-LIFT TRIPLE BALL MOUNT

provides versatile towing - great for pulling your RV, boat, utility trailer and more. Its three hitch ball sizes measure: 1 7/8", 2" and 2 5/16". It has weight ratings of 6,000 lb., 7,500 lb. and 10,000 lb. The triple ball mount is constructed of durable, powder-coated steel for reliable strength.



Part #	Compatibility	Shank	Length
48234	2" Receiver	2"	12"
48279	2 1/2" Receiver	2 1/2"	12 3/4"



### ADJUSTABLE BALL MOUNT SHANKS

Used in either the up or down position to match the ball mount to any coupler height. Long hi/low shanks provide the extra length sometimes needed to obtain clearance from bumper interference. \*Fits 2" x 2" receiver. \*unless otherwise noted



#### A1. HI/LOW SHANK

2 1/2" Drop, 5 1/2" Rise

- 48650 12" Shank
- 48651 12" Shank - forged (fits 2 1/2" x 2 1/2" receiver)
- 48121 14" Shank
- 48122 16" Shank
- 48123 18" Shank

6 1/4" Drop, 8 1/4" Rise

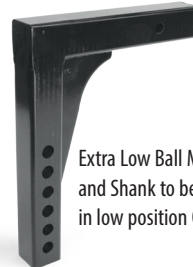
- 48654 12" Shank - forged (fits 3" x 3" receiver)



#### A2. EXTRA HI/LOW SHANK

5 3/4" Drop, 8 3/4" Rise

- 48652 12" Shank - forged (fits 2 1/2" x 2 1/2" receiver)
- 48653 12" Shank - forged
- 48131 14" Shank
- 48133 16" Shank



#### A3. EXTRA LOW SHANK

9 1/2" Drop (BALL MOUNT AND SHANK TO BE USED IN THE LOW POSITION ONLY)

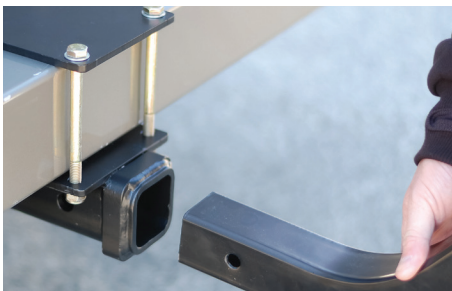
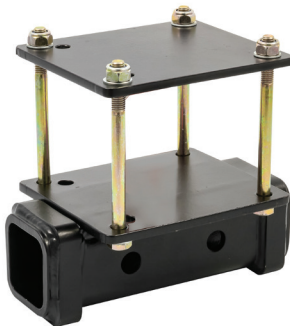
- 48132 12" Shank

Extra Low Ball Mount and Shank to be used in low position ONLY

### SQUARE BUMPER HITCH

Clamps on to your 4" square RV bumper, creating a hitch receiver without drilling or permanent installation. The 2" hitch receiver is ideal for lightweight applications, such as bike and cargo racks. The heavy duty, durable powder-coated steel is corrosion resistant and built to last. RV BUMPER HITCH IS NOT DESIGNED FOR TOWING.

- 48473 Square Bumper Hitch



### DUAL HITCH EXTENSION

allows use of hitch-mounted accessories such as bike racks, chair carriers, etc. while towing a trailer. 3,500 lb gross trailer weight capacity and a 350 lb combined tongue weight capacity. Constructed of durable steel with a powder coat finish that resists rust and corrosion, and is weather resistant. Both receivers are 2" receiver openings.

- 48472 Dual Hitch Extension



### RECEIVER ADAPTER

easily adapts a 1 1/4" receiver into a 2" receiver. The adapter has a 6" extension and has a 3,500 lb gross trailer weight rating. The durable steel with powder coat finish resists rust and corrosion and is weather resistant.

- 48471 Receiver Adapter



### ADJUSTABLE BALL MOUNT WITH FORGED SHANK

provides adjustable height and two different trailer ball sizes for towing multiple trailers. The shank fits 2" x 2" receivers and is adjustable in 1 1/4" increments. Includes (1) shank, (1) ball mount, (2) ball platform pins and (2) hairpin cotter pins. On the ball mount are (2) welded hitch balls - a 2" hitch ball with an 8,000 lb. GVWR, and a 2 3/16" hitch ball with a 12,000 lb. GVWR. Constructed of durable, powder-coated steel. Not for use with weight distributing hitches.

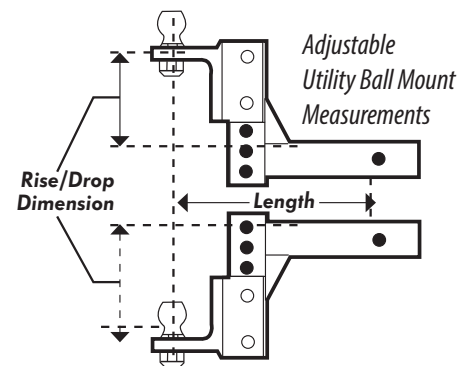
Part #	Drop	Rise
48480	6"	5 1/2"
48481	10"	9 1/2"



### ADJUSTABLE UTILITY BALL MOUNT AND SHANK

Ideal for those who have more than one trailer or tow vehicle. Rated for trailer weights up to 5,000 lb and tongue weights up to 500 lb Powder coat baked-on finish. 1" Ball Hole, 8 1/2" Drop, 7 1/4" Rise, Fits 2" x 2" receiver.

- 48270 14" Shank
- 48271 16" Shank



### MAGNETIC HITCH ALIGNMENT KIT

Camco's Magnetic Hitch Alignment Kit is designed for one-person hook-up on the first try every time. Easily visible balls take the guesswork out of linking up your hitch. Attach one guide to the tow vehicle and one to the trailer. Guides extend to 50" for easy viewing, and a swivel base allows the guides to be positioned directly above hitch and receiver. This system works with virtually any tow vehicle and any trailer: gooseneck trailers, fifth wheel trailers, horse trailers and boat trailers.

44603 Hitch Alignment Kit



### METAL LOCKING WHEEL STOP WITH WRENCH

Prevent tandem-tire shift using just one piece of equipment—Eaz-Lift's Premium Metal Wheel Stop. Zinc-plated for corrosion resistance, has raised ribs on the contact surface for increased traction which helps prevent tire shift/slippage between tandem tires spaced from 3–10" apart. It also includes a comfort-grip ratchet wrench for easy installation and a lock to keep it secure.

44662 10", Canada Item

44663 18", Canada Item



### SLIDE-OUT SUPPORTS

Help protect your RV's slide out mechanism by providing support to your slide out room when it is in use for prolonged periods. The universal fit top will support any slide out rail, and the space saving handle and tethered pin make the support easy to use and store. The Eaz-Lift Slide Out Support adjusts from 19" to 47", with incremental locked positions, plus minute adjustment that extends an additional 14". These durable supports are constructed of rust-resistant steel and support up to 5,000 lb each.

48866 Slide Out Supports, Pair

48867 Slide Out Support, Single



### EAZ-LIFT RV PATIO SUPPORTS

provide additional support to RV patios. They are compatible with toy hauler backdoors that convert into a patio and RVs with flat bottom slide-outs. Each support has a 1,000 lb. weight rating. Multiple pin holes and a threaded rod allow a height adjustment from 22" to 48". The support base is constructed of durable, powder-coated steel, and the contact surface of the support pad is constructed of thermoplastic elastomers (TPE), which will not mar the side of your RV. Contains (2) supports.

48869 RV Patio Supports



### EAZ-LIFT LOCKING HITCH PIN

The Eaz-Lift Trailer Locking Hitch Pin locks your hitch to prevent theft. It is compatible with Class I & II hitches. Made of durable zinc-plated steel, the locking hitch pin features a weather-resistant cap that protects the keyhole from dirt and moisture. Includes 2 keys.

48477 1/2"

48478 5/8"



### LEVELING SCISSOR JACKS

Fits pop-ups and trailers and allows for either bolt-on or weld-on installation. Powder coated for maximum rust protection. See listing below for load capacities.

48800 20", 5,000 lb, 2pk

48810 24", 5,000 lb, 1pk

48820 24", 5,000 lb, 2pk

48830 24", 7,500 lb, 2pk

48840 30", 5,000 lb, 2pk



### RV SCISSOR JACK SOCKET, 3/4" WITH QUICK CONNECT

Significantly reduce the amount of time it takes to raise and lower you RV's scissor jacks with Camco's Quick Connect Scissor Jack Socket. There is no more back strain using time-consuming hand cranks, simply snap the socket into the 1/4" hex chuck of your drill and let the power drill do all the work. You can also use common 1/4" hex extensions for extra reach. It is especially convenient in inclement weather when you just want to get back inside. The Camco Leveling Scissor Jack Socket is forged in one piece from carbon steel, so it is durable and meant to last a lifetime. It is zinc plated to provide protection against corrosion.

57364 Scissor Jack Socket



### EAZ-LIFT HITCH ANTI-RATTLE DEVICE

helps prevent hitch movement and noise. This provides a quieter, smoother ride. It is ideal for bike racks, hitch racks, cargo carriers, spare tire mounts, trailer ball mounts and more. The anti-rattle device is compatible with 2" shanks and can be used with hitch classes 1, 2, 3 and 4. Product includes (1) wedge plate, (1) U-bolt and (2) flanged lock nuts. The wedge plate is constructed of durable powder-coated steel and the U-bolt is constructed of zinc-plated steel. Measures 4" x 4" x 4 7/16".

48469 Hitch Anti-Rattle Device





**TELESCOPIC STABILIZING JACKS**

Zinc-plated inner tube and screw assembly. Adjustable from 16" to 30". Sturdy steel construction, powder coated for maximum rust protection. 6,000 lb load capacity.

48860 Telescopic Jack, 2pk



**KINGPIN COLLAR LOCK**

helps avoid RV theft by preventing your kingpin from connecting to a trailer hitch while it's in storage. The collar lock fits over standard 2" kingpins and is easy to install and lock. It is made out of durable, zinc-plated steel to ensure your RV's maximum protection. Padlock and keys are included.

48856 Kingpin Collar Lock



**EAZ-LIFT SCISSOR JACK DRILL EXTENSIONS**

The Eaz-Lift Scissor Jack Drill Extensions aid in raising and lowering your RV's scissor jacks. It is compatible only with manual scissor jacks and is made of durable, zinc-plated construction.

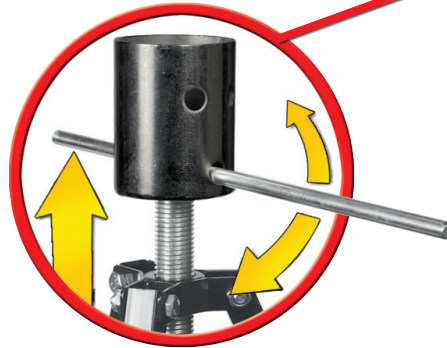
48861 3/4" Hex Jack Socket Extension  
48862 Slotted Jack Drive Extension



**KING PIN 5TH WHEEL STABILIZING JACK**

Major height adjustments are made by simply moving the adjustable foot pads inward or outward; minor adjustments are made at the screw level with the provided stabilizing adjusting lever. Designed for use with 5th wheel trailers whose coaches have a king pin height of 39" to 50". Fully assembled with steel tube construction and zinc-plated chain. Lockable for added security. Designed to allow use of padlock to secure Stabilizing Jack to trailer. 5,000 lb maximum load capacity.

48855 King Pin Stabilizing Jack



**GOOSENECK STABILIZER JACK**

Reduces movement on trailer; works with horse trailers and 5th wheel trailers with gooseneck adapter installed. Heavy duty steel construction; powder coated for maximum rust protection. Features zinc-plated chain and large foot pads. Hooks up to Gooseneck Adapter (sold separately). Adjustable from 30 to 44". Maximum load: 7,500 lb.

48850 Gooseneck Stabilizer Jack



**EAZ-LIFT LIGHT WEIGHT RV TIRE LEVELER**

The Eaz-Lift Light Weight RV Tire Leveler allows easy leveling without using blocks or ramps. It raises a trailer axle up to 8-inches when fully extended. The leveler fits most 13", 14" and 15" wheels with up to a 27.1" tire diameter. Made out of durable, powder-coated steel with a corrosion-resistant finish, the leveler features tire pads that are embossed for added traction. Ratchet wrench included. Designed for light, single axle trailers only.

48845 Tire Leveler





**EAZ-LIFT CARGO CARRIER  
HITCH MOUNT**

The Camco Hitch Mounted Cargo Carrier is an easy way to add extra storage space when traveling. The Cargo Carrier is compatible with any 2" hitch receiver and easily attaches and detaches with included hitch pin. The heavy duty steel basket has a 500 lb. weight capacity and a powder coated finish. Measures 51 1/2" x 17 1/2" x 3 1/4".

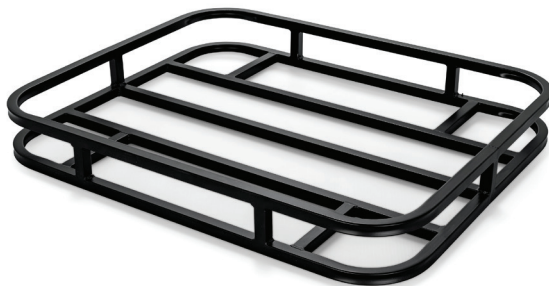
48475 Cargo Carrier Hitch Mount



**EAZ-LIFT RV BUMPER  
MOUNTED  
CARGO CARRIER**

The Eaz-Lift RV Bumper Mounted Cargo Carrier is perfect for carrying coolers and other cargo on the back of your RV. It mounts to both 4" and 4 1/2" RV bumpers. The carrier has overall dimensions of 26" x 31 3/4" x 4" with inner dimensions of 24 1/2" x 30 1/8" x 3 3/16". Constructed of durable, powder-coated steel, the carrier weighs 14 lb. All mounting hardware is included.

48470 RV Bumper Mounted Cargo Carrier



**EAZ-LIFT BUMPER MOUNT  
SPARE TIRE CARRIER**

Camco's Eaz-Lift Bumper Mount Spare Tire Carrier easily mounts to your RV bumper to create an exterior spare tire location. It fits 4" RV bumpers that are hinged, so it doesn't limit access to your storage areas. Compatible with the following wheels: 4 lug x 4", 5 lug x 4 1/2" and 5 lug x 4 3/4".

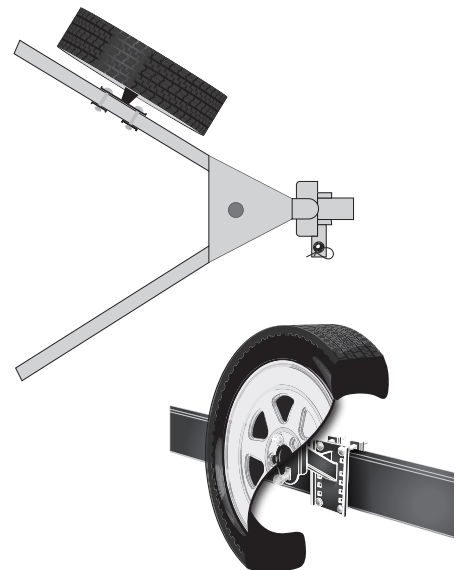
48476 Bumper Mount Spare Tire Carrier



**EAZ-LIFT SPARE TIRE MOUNT, BLACK**

The Camco Eaz-Lift Spare Tire Mount is an easy way to create an exterior spare tire location on your trailer. The durable, powder-coated steel mount easily attaches to your trailer with included zinc-plated hardware without the need for drilling. Spare Tire Mount fits trailer tongues up to 6 inches tall and is compatible with 4 lug x 4" diameter hole pattern, 5 lug x 4 1/2" diameter hole pattern, and 5 lug x 4 3/4" diameter hole pattern.

48474 Spare Tire Mount



# DISPLAYS

## EAZ-LIFT 5TH WHEEL DISPLAY STAND

Includes display rails (hitches not included)

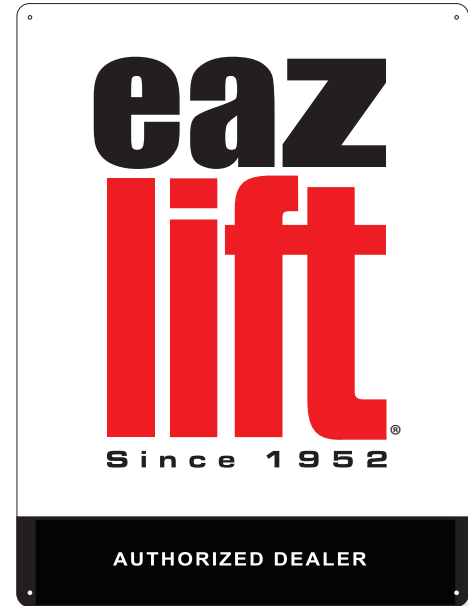
61036



## EAZ-LIFT SIGN

18" x 24"

898205



## EAZ-LIFT WDH DISPLAY RACK STAND

(hitches not included)

61052



## EAZ-LIFT GOOSENECK ADAPTER COUNTER DISPLAY

(adapter not included)

61520



# Safer Towing with **MORE CONTROL**

## Weight Distribution Just Got Better

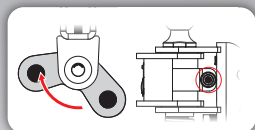
- Sway control
- No need to grease bars
- Easier hook-up
- Quiet operation



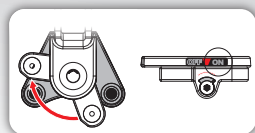
**RECURVE**  
ADAPTIVE SWAY TECHNOLOGY WDH

Thumbscrew makes it easier to set proper head angle of hitch.

One bolt adjustable sway control.



Simple on/off sway control.



Top-loading spring bars. Simply drop in.

For more information, please visit [www.camco.net](http://www.camco.net)



70212 #1220